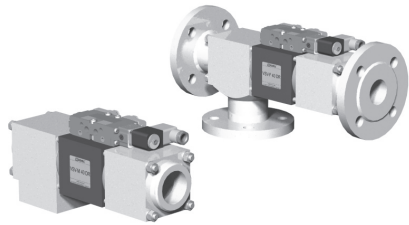


5-VSV-M 40 DR
5-VSV-F 40 DR
 valve type with pilot valve

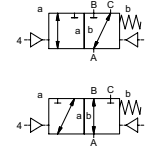
coaxial valve

type VSV-M 40 DR

VSV-F 40 DR



3/2 way valve externally controlled
pressure range PN 0-40 bar
orifice DN 40 mm
connection thread/flange
function valve normally closed (A ► B) symbol **NC**
 valve normally open (A ► B) symbol **NO**



Above stated body materials refer to the valve port connections that get in contact with the media only!

design pressure balanced, with spring return, intersecting switch-over
body materials ① ② steel, galvanized
 ③ ⑤ without non-ferr. metals
 ④ steel, nickel plated ⑥ stainless steel

valve seat synthetic resin on metal
seal materials NBR PTFE, FPM, CR, EPDM

details needed for main valve

- orifice
- port
- function NC/NO
- operating pressure
- inlet pressure at A, B or C
- flow rate
- media
- media temperature
- ambient temperature
- type of actuation

details needed for pneumatic actuation

- nominal voltage
- type of protection
- actuation pressure range min/max
- low wattage coil, actuation pressure range 4-7 bar
- pilot valve type

details needed for hydraulic actuation

- actuation pressure range min/max
- hydraulic control valve function

The valves' technical design is based on media and application requirements. This can lead to deviations from the general specifications shown on the data sheet with regards to the design, sealing materials and characteristics.

If order or application specifications are incomplete or imprecise there exists a risk of an incorrect technical design of the valve for the required application. As a consequence, the physical and / or chemical properties of the materials or seals used, may not be suitable for the intended application.

■ specifications not highlighted are standard
 ■ specifications highlighted in grey are optional

general specifications

ports	VSV-M threads G 1 1/2 - G 2	options	special threads
	VSV-F flanges PN 16/40		special flanges
function	NC		NO
pressure range	bar 0-16/0-40		
	A ⇒ B max.40 / B ⇒ A max.16 / A ⇒ C max.40 / C ⇒ A max.40		
Kv value	m ³ /h 29,1		
vacuum	leak rate < 10 ⁻⁶ mbar·l·s ⁻¹		
pressure-vacuum	P ₁ ⇔ P ₂		pressure side max. 40 bar vacuum side leak rate < 10 ⁻⁶ mbar·l·s ⁻¹
back pressure	P ₂ > P ₁ see pressure range		
media	gaseous - liquid - highly viscous - gelatinous - pasty - contaminated		
abrasive media			version available
damping	opening by throttles on pilot valve		
	closing see pressure range		
flow direction	see pressure range		
switching cycles	1/min 150		
switching time	ms opening 100-3000 closing 100-3000		
media temperature	°C direct mounted pilot valve 60		remote mounted pilot valve outside temperature range of media max.160°C
ambient temperature	°C direct mounted pilot valve 50		
flush ports			available
leak ports			available
limit switches			inductive/mechanical upon request
manual override	via pilot valve		
approvals			LR/GL/WAZ
mounting			mounting brackets
weight	kg VSV-M 8,9 VSV-F 11,6		
additional equipment			upon request

electrical specifications

nominal voltage	U _n DC 24V	options	special voltage upon request
	U _n AC 230V 50 Hz		special voltage upon request
power consumption	DC 4,8 W		2,5 W
	AC pick up 11,0 VA holding 8,5 VA		
protection	IP 65 (P54) acc. DIN 40 050		
energized duty rating	ED 100%		
connection	plug acc. DIN EN 175301-803 form B, 4 positions x 90° / wire diameter 6-8 mm		
additional equipment	illuminated plug with varistor		
optional	M12x1 connector acc. DESINA		connector acc. VDMA
max. temperature	media 60°C		
	ambient 50°C		
explosion proof	EEx m II T5 nominal voltage U _n		direct current 24 V 3,25 W
	power consumption		alternating current 230 V 50 Hz 2,90 W

pneumatic specifications

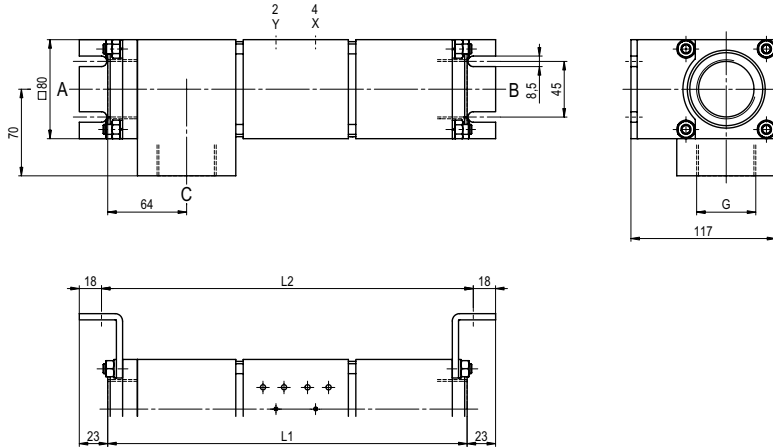
actuation pressure range	bar 4-10	options	
air consumption	cm ³ /stroke 34		
cycle speed	main valve speed variable by throttles on pilot valve		
control	preferably 5/2-way pilot valve		
pilot valve interface	co-ax / NAMUR		ISO 1
actuator ports	2/4 G 1/8		G 1/4

hydraulic specifications

actuation pressure range	bar 10-30 / 30-60	options	
control	preferably 4/2-way control valve		
actuator ports	X/Y G 1/4		NPT 1/4

type VSV-M 40 DR

function: **NC**
closed when not energized (A ► B)

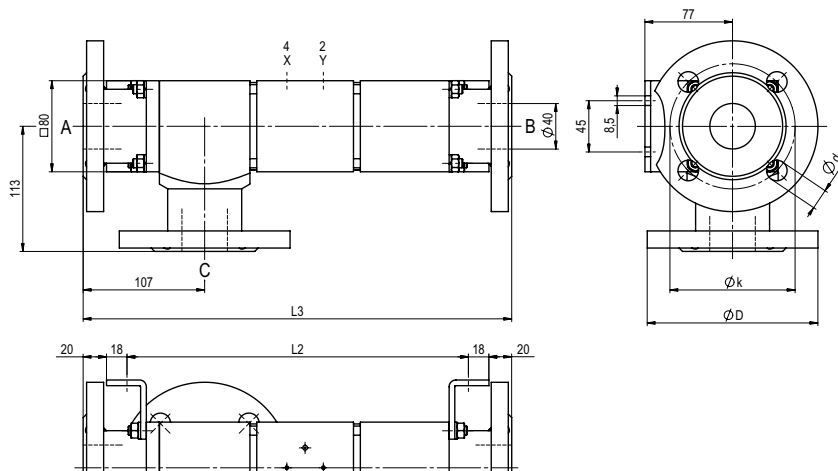


constructive length	L1	L2	L3
standard	291	301	377
with 1/2 inductive limit switches	338	348	424
with force-feed lubrication nipple	-	-	-
with mechanical limit switches	-	-	-

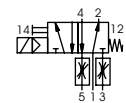
flanges PN	DIN	øD	øk	ød
16	2633	150	110	18
40	2635	150	110	18

type VSV-F 40 DR

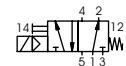
function: **NO**
open when not energized (A ► B)



pneumatic actuation (separately)



5/2-way-pilot valve ISO 1
flow rate 700 l/min
pressure range 3-10 bar G 1/8



5/2-way-pilot valve ISO 1
flow rate 700 l/min
pressure range 3-10 bar G 1/4

The application-specific layout relating to temperature, pressure conditions, switching behavior, media and its consistency may restrict the range of use or necessitate relevant modifications to materials used and seal arrangements.

Rights reserved to make technical alterations • Not responsible for printing errors • Detailed drawings can be obtained upon request