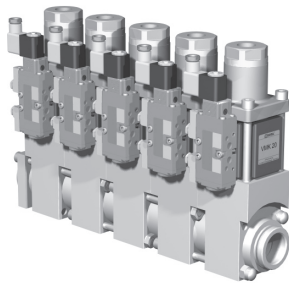
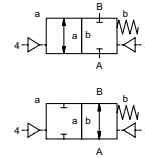


# module

## type VMK 10 - VMK 32



**2/2 way valve** externally controlled  
**pressure range** PN 0-64 bar / 0-100 bar  
**orifice** DN 10-32 mm  
**connection** thread  
**function** valve normally closed symbol **NC**  
 valve normally open symbol **NO**



**△** Above stated body materials refer to the valve port connections that get in contact with the media only!

### general specifications

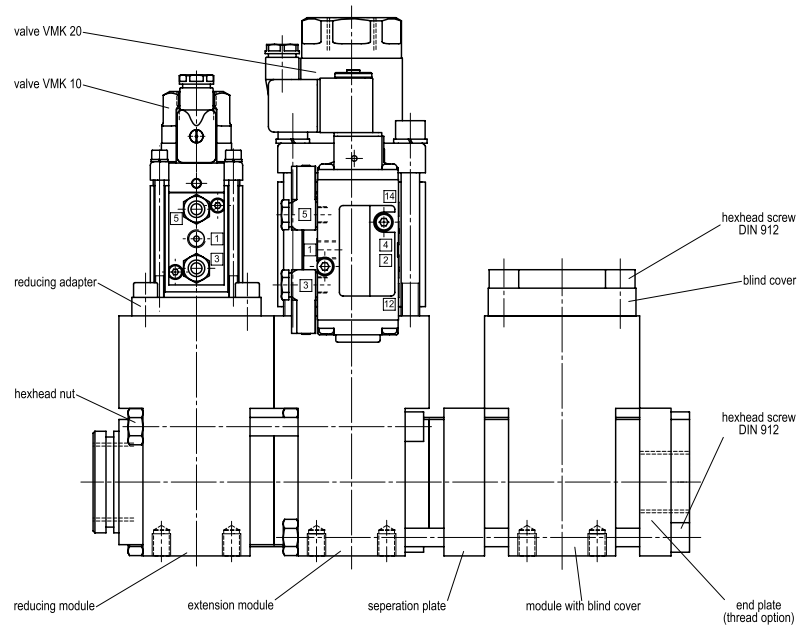
type	VMK 10	VMK 15	VMK 20	VMK 25	VMK 32
port thread valve	G 1/4 - 3/4	3/8 - 3/4	3/4 - 1 1/4	1 - 1 1/2	1 1/4 - 1 1/2
port thread module	G 1	1	1 1/4	1 1/2	1 1/2
function	NC / NO	NC / NO	NC / NO	NC / NO	NC / NO
pressure range	bar 0-16 / 40 / 64	0-16 / 40 / 64 / 100	0-16 / 40 / 64 / 100	0-16 / 40 / 64 / 100	0-16 / 40 / 64 / 100
orifice	DN 10	15	20	25	32
media	gaseous - liquid - highly viscous - gelatinous - pasty - contaminated				
media temperature	°C -20 to +160	-20 to +160	-20 to +160	-20 to +160	-20 to +160
switching time	ms opening 30-3000 closing 30-3000	opening 50-3000 closing 50-3000	opening 50-3000 closing 50-3000	opening 50-3000 closing 50-3000	opening 50-3000 closing 50-3000
body materials valve	① brass	steel, galvanized	steel, galvanized	steel, galvanized	steel, galvanized
	②	brass, nickel plated	brass, nickel plated	brass, nickel plated	brass, nickel plated
	③	steel, nickel plated	steel, nickel plated	steel, nickel plated	steel, nickel plated
	④	stainless steel	stainless steel	stainless steel	stainless steel
	⑤	aluminium	aluminium	aluminium	aluminium
body materials module	⑥ stainless steel	stainless steel	stainless steel	stainless steel	stainless steel
seal materials	NBR, PTFE, FPM, CR, EPDM				
valve seat	synthetic resin on metal				
design	pressure balanced with spring return				

### details needed

- orifice
- port
- function NC/NO
- operating pressure
- flow rate
- media
- media temperature

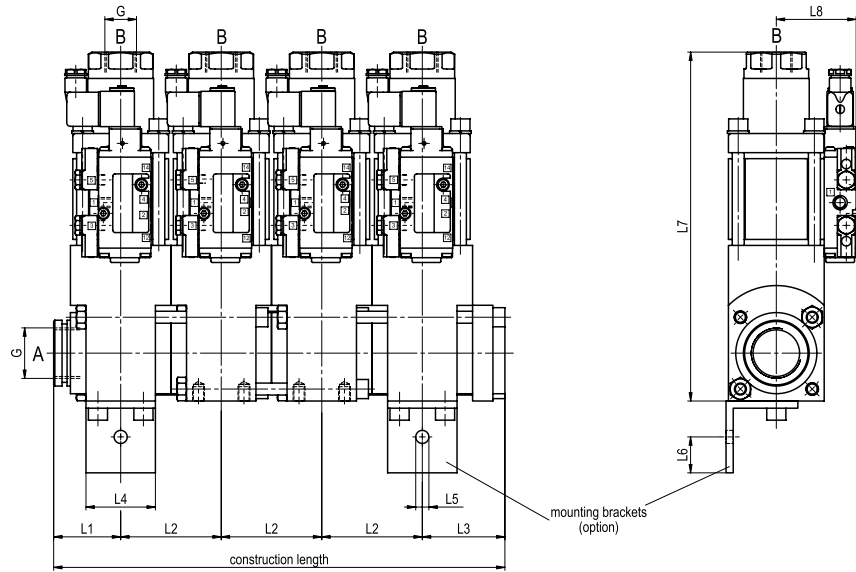
**⚠** The valves' technical design is based on media and application requirements. This can lead to deviations from the general specifications shown on the data sheet with regards to the design, sealing materials and characteristics.

**⚠** If order or application specifications are incomplete or imprecise there exists a risk of an incorrect technical design of the valve for the required application. As a consequence, the physical and / or chemical properties of the materials or seals used, may not be suitable for the intended application.



■ specifications not highlighted are standard  
 ■ specifications highlighted in grey are optional

# type module VMK 10 - VMK 32



## chart with dimensions

type	L1	L2	L3	L4	L5	L6	L7	L8	L9
VMK 10	36,5	53	38,5	38	ø8,5	20	186	90	16
VMK 15	46	72	64	52	ø9	30	249	62	14
VMK 20	56	84	69	58	ø11	30	292	67	22
VMK 25	61	94	84	68	ø11	30	339	72	22
VMK 32	61	94	84	68	ø11	30	362	72	22

## chart with overall length

type	1-station	2-station	3-station	4-station	5-station	6-station	7-station	8-station
VMK 10	75	128	181	234	287	340	393	446
VMK 15	110	182	254	326	398	470	542	614
VMK 20	125	209	293	377	461	545	629	713
VMK 25	145	239	333	427	521	615	709	803
VMK 32	145	239	333	427	521	615	709	803

