

valve manifold

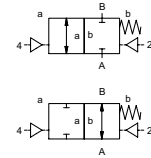
type CFM 08

3-CFM 08

valve type with pilot valve



2/2 way valve externally controlled
pressure range PN 0-40 bar
orifice DN 8 mm
connection thread
function valve normally closed symbol **NC**
 valve normally open symbol **NO**



Above stated body materials refer to the valve port connections that get in contact with the media only!

design pressure balanced, with spring return
body materials ① brass ②
 ③ ⑤
 ④ ⑥

valve seat synthetic resin on metal
seal materials NBR, FPM, PE PU, PTFE

details needed for valve manifold

- orifice
- port
- function NC/NO
- operating pressure
- flow rate
- media
- media temperature
- ambient temperature
- type of actuation

details needed for pneumatic actuation

- nominal voltage
- type of protection
- actuation pressure range min/max
- low wattage coil, actuation pressure range 4-7 bar
- pilot valve type

The valves' technical design is based on media and application requirements. This can lead to deviations from the general specifications shown on the data sheet with regards to the design, sealing materials and characteristics.

If order or application specifications are incomplete or imprecise there exists a risk of an incorrect technical design of the valve for the required application. As a consequence, the physical and / or chemical properties of the materials or seals used, may not be suitable for the intended application.

■ specifications not highlighted are standard
 specifications highlighted in grey are optional

general specifications

| | | |
|----------------------------|----------------------------------|---|
| version | 2-fold, 3-fold, 4-fold, 5-fold | |
| ports | CFM | threads G 3/8 |
| function | NC | NO |
| pressure range | bar | 0-40 |
| Kv value | m ³ /h | 1,6 |
| vacuum | leak rate | < 10 ⁻⁶ mbar·l·s ⁻¹ |
| pressure-vacuum | P ₁ ↔ P ₂ | |
| back pressure | P ₂ > P ₁ | available (max. 16 bar) |
| media | emulsions - oils - neutral gases | other medias upon request |
| abrasive media | | |
| damping | opening | |
| | closing | |
| flow direction | A ↔ B | as marked |
| switching cycles | 1/min | 400 |
| switching time | ms | opening 70 closing 80 |
| media temperature | °C | direct mounted pilot valve 60 >60°C upon request |
| ambient temperature | °C | direct mounted pilot valve 50 >50°C upon request |
| flush ports | | |
| leak ports | | |
| limit switches | | reed, temperature range max 70°C |
| manual override | | via pilot valve |
| approvals | | |
| mounting | | mounting holes |
| weight | kg | 2-fold 1,0 / 3-fold 1,4 / 4-fold 1,8 / 5-fold 2,2 |

electrical specifications

| | | | |
|------------------------------|----------------|--|--|
| nominal voltage | U _n | DC 24V | special voltage upon request |
| | U _n | AC 230V 40-60 Hz | special voltage upon request |
| power consumption | DC | 4,8 W | 2,5 W |
| | AC | pick up 11,0 VA holding 8,5 VA | |
| protection | IP 65 (P54) | acc. DIN 40 050 | |
| energized duty rating | ED | 100% | |
| connection | | plug acc. DIN EN 175301-803 form B, 4 positions x 90° / wire diameter 6-8 mm | |
| additional equipment | | illuminated plug with varistor | |
| optional | M12x1 | connector acc. DESINA | connector acc. VDMA |
| max. temperature | media | 60°C | |
| | ambient | 50°C | |
| explosion proof | EEx m II T5 | nominal voltage U _n | direct current 24 V 3,25 W |
| | | power consumption | alternating current 230 V 50 Hz 2,90 W |

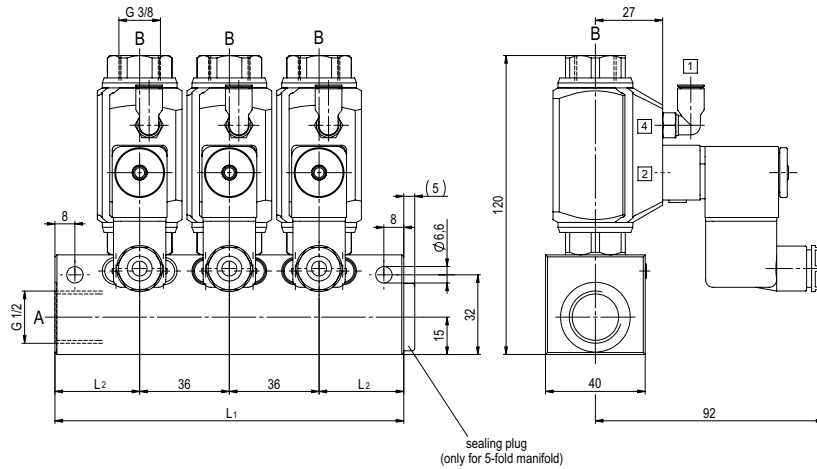
pneumatic specifications

| | | | |
|---------------------------------|-------------------------|-------|------------------------|
| actuation pressure range | bar | 4-10 | 3-10 upon request |
| air consumption | cm ³ /stroke | 1,2 | |
| cycle speed | | | by 3/2-way pilot valve |
| control | | | |
| pilot valve interface | co-ax | | CNOMO upon request |
| actuator ports | 2/4 | G 1/8 | |

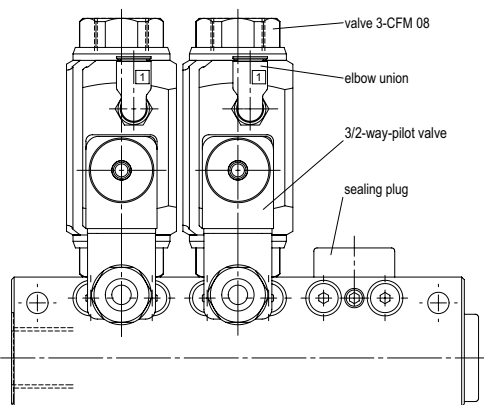
hydraulic specifications

| | | | |
|--|--|--|--|
| | | | |
| | | | |
| | | | |

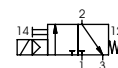
type **valve manifold CFM 08** function: **NC**
closed when not energized



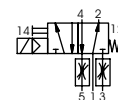
| constructive length | L1 | L2 |
|---------------------|-----|----|
| 2-fold | 100 | 32 |
| 3-fold | 140 | 34 |
| 4-fold | 180 | 36 |
| 5-fold | 210 | 33 |



pneumatic actuation (5/2 separ-



3/2-way-pilot valve
flow rate 60 l/min
pressure range 3-10 bar



5/2-way-pilot valve
flow rate 700 l/min
pressure range 3-10 bar G 1/8

The application-specific layout relating to temperature, pressure conditions, switching behavior, media and its consistency may restrict the range of use or necessitate relevant modifications to materials used and seal arrangements.

Rights reserved to make technical alterations • Not responsible for printing errors • Detailed drawings can be obtained upon request